

REI-60IIS/80IIS

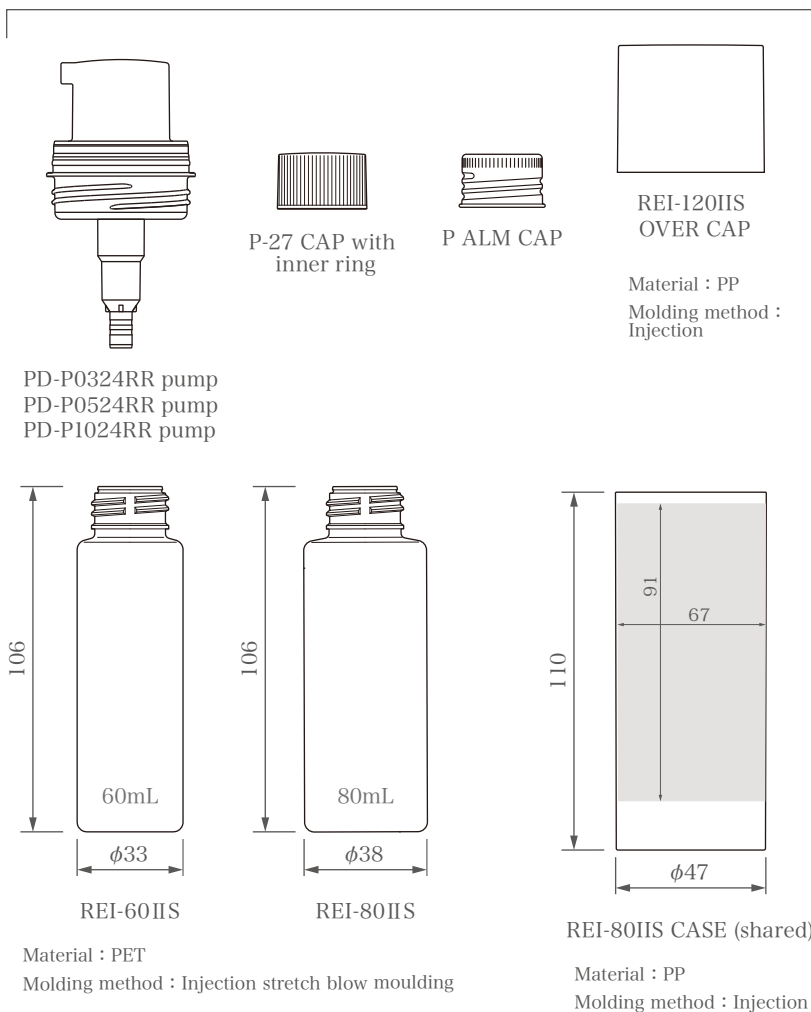
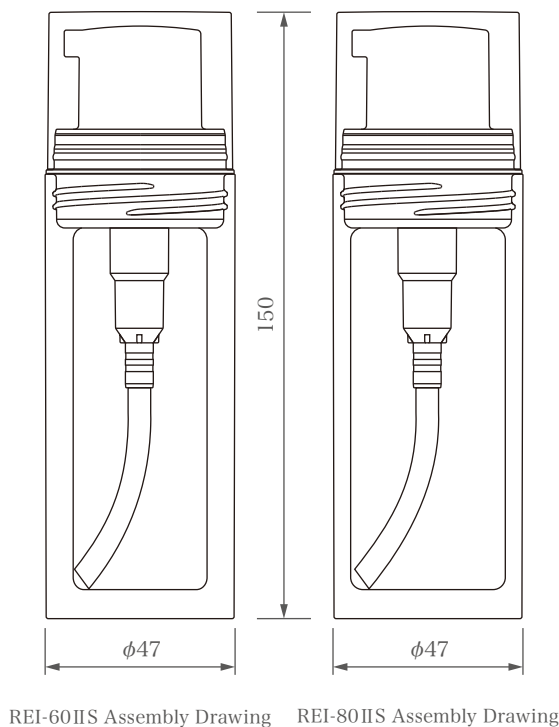
Sustainable Refill Bottle Series with a Luxurious Matte Finish



Containers shown (from the left) : REI-80 IIS/60 IIS/REI-80IIS CASE (shared)
Accessories shown : REI-120IIS OVER CAP/PD-P0324Rpump/P ALM CAP



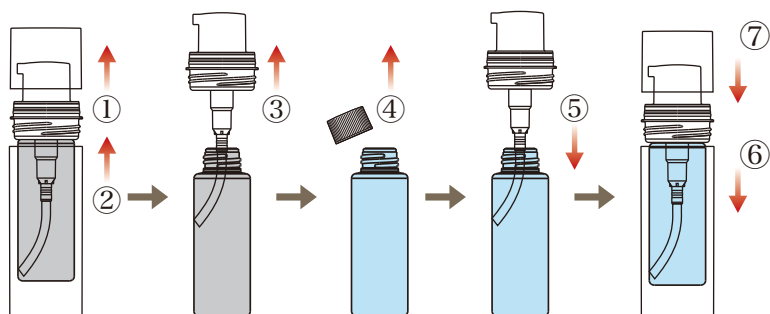
Introducing a refill bottle series with a luxurious matte finish. It features a simple yet sharp form with a cohesive design. New sizes of 60mL and 80mL have been added.



■ Choice of pump dosages

The dedicated pump is available in 0.3cc, 0.5cc or 1.0cc doses, allowing you to choose the best option for your formula.

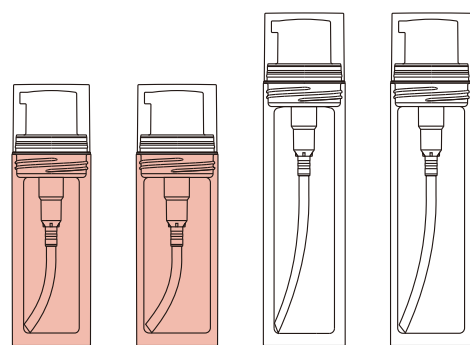
■ Refill replacement method



- ① Remove the over cap.
- ② Remove the pump and the empty bottle.
- ③ Unscrew the pump from the empty bottle.
- ④ Remove the refill cap
- ⑤ Attach the pump to the new refill bottle.
- ⑥ Place the refill and pump assembly in the case.
- ⑦ Set the over cap in place.

By reusing the cap and case, this environmentally friendly product reduces the consumption of petroleum-based materials and the amount of packaging waste after the contents have been used.

■ REI-II SERIES



REI-60IIS REI-80IIS REI-100IIS REI-120IIS